

SYLAX SERIES 149G BUTTERFLY VALVES

Wafer Type Butterfly Valve 2" trough 12"

With 10 position lockable handle (2"-6") or Gear Box (8"-12")



Applications and features

04.24.2007 REV: 4

Designed for water supply, HVAC and general industries.

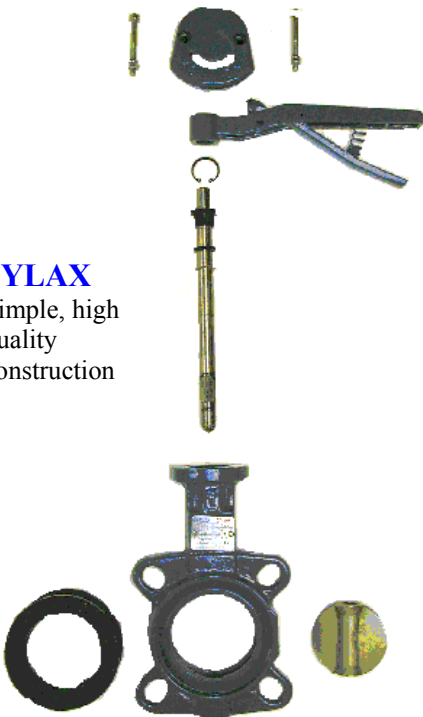
- Body types: wafer style with four centering lugs for easy installation.
- Epoxy coating: internally and externally.
- Ease of maintenance: interchangeable parts including discs, shafts, and liners - simplifying service and reduces maintenance costs
- Blow out proof shaft
- Spline driven one piece shaft connected to spherically machined disc allows high torque transmission i.e. quick response with minimum back-lash
- Floating disc design allows self centering - preventing wear on the liner
- Tongue and groove seat design assuring long term tightness
- Extended service life with upper and lower anti-friction bearings
- Standard ISO top flange for direct mounting of actuator
- Lockable 10 positions handle (2"-6" standard) or gear operation (8"-12" standard).



Technical features:

Description	Material
Valve Body	Cast Iron ASTM A126 Class GG25
Valve Disc	Stainless Steel AISI 316 or Ductile Iron GGG40, Epoxy Coating
Valve Seat	EPDM Standard or Buna-N and other seat material available
Valve Shaft	Stainless Steel AISI 420
Shaft Bushings	PTFE lubricated plated steel
Top Flange	ISO 5211 standards
Face to face	API 609 table1 (ISO 5752 class 20, DIN 3202 part 3 K1 BS 5155 table6 col.4)
Pressure rating	200 PSI / 16 bar for ANSI 150 Flange
Temperature rating (EPDM Seat Liner)	Working temp: Min +46°F (+8°C) Max +230°F (+110° C) Design temperature rating: Min -4°F (-20°C) Max + 248°F (+120° C)

SYLAX
Simple, high
quality
construction



SYLAX Series 149G Part Numbers

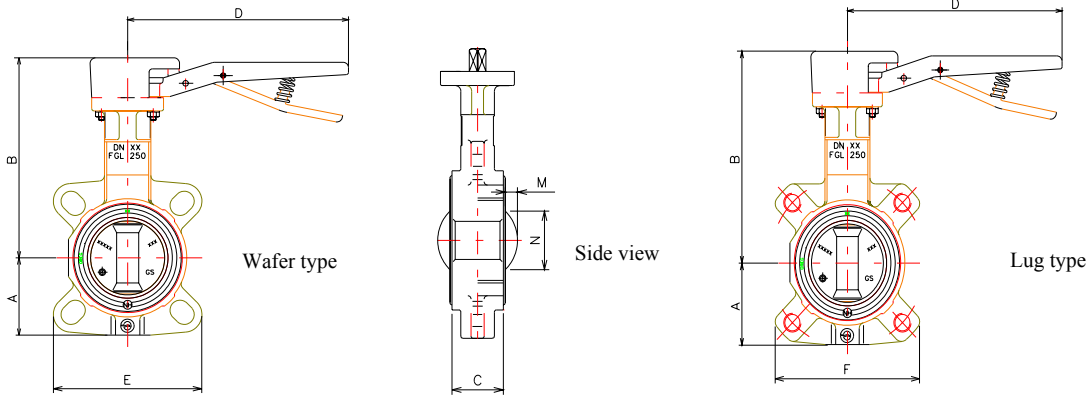
Size	Metric	Model 149DI (Ductile Iron Disc)	Model 149DIB (Bare shaft)	Model 149SS (Stainless Steel Disc)	Model 149SSB (Bare shaft)
2"	50 mm	149G 010894	149G 010894B	149G 011266	149G 011266B
2 1/2"	65	149G 010909	149G 010909B	149G 011287	149G 011287B
3"	80	149G 010928	149G 010928B	149G 011297	149G 011297B
4"	100	149G 010955	149G 010955B	149G 011316	149G 011316B
5"	125	149G 010989	149G 010989B	149G 011334	149G 011334B
6"	150	149G 011005	149G 011005B	149G 011343	149G 011343B
8"	200	149G037026*	149G037026B	149G037016*	149G037016B
10"	250	149G037027*	149G037027B	149G037017*	149G037017B
12"	300	149G037028*	149G037028B	149G037018*	149G037018B

*Note: Gear Operated Standard, 8", 10" and 12" (Standard), 10 positions lockable handle 2" -6" (Standard).

FLOMATIC® VALVES

SYLAX Model 149G Butterfly Valve

Dimensions

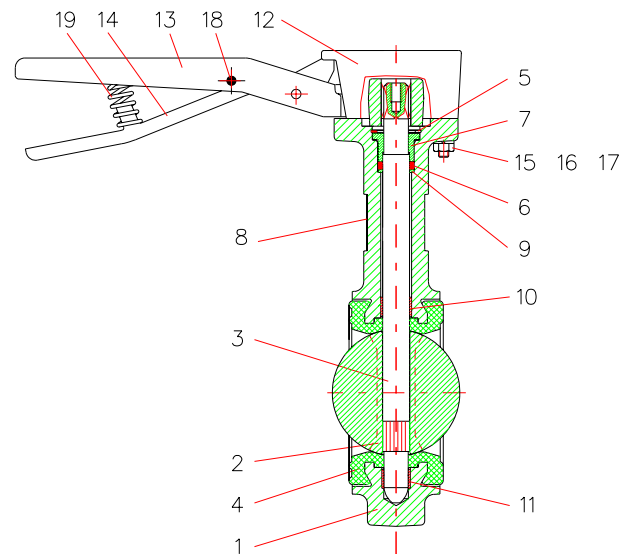


Size	DN mm	A	B	C	D	E	F	M	N	WEIGHT Lbs*	
										Wafer Type	Lug type
2"	50	2.44	6.77	1.69	7.87	4.80	5.00	.12	.91	7.5	8.8
2 1/2"	65	2.75	7.13	1.81	7.87	5.39	5.51	.35	1.77	8.4	11.1
3"	80	3.50	7.36	1.81	7.87	4.96	7.71	.33	1.81	8.8	12.2
4"	100	4.17	8.31	2.05	11.42	5.98	8.19	1.10	3.31	12.8	18.5
5"	125	4.72	8.90	2.20	11.42	7.17	9.53	1.30	4.37	17.2	21.7
6"	150	5.2	9.41	2.20	11.42	8.11	10.63	1.79	5.43	18.1	26
8"	200	6.46	11.54	2.36	17.72	10.43	13.19	2.71	7.54	36.6	50.8
10"	250	7.87	12.56	2.68	17.72	12.52	15.75	3.66	9.76	51.2	61.8
12"	300	9.37	13.50	3.07	17.72	14.61	17.95	4.37	11.54	68.4	93

*Note: Cast iron body- ductile iron disc - EPDM liner. See other specification sheets for different types of SYLAX butterfly valve actuators.

Material specification

Item	Qt	Description	Materials
1	1	Body	Cast Iron ASTM A126 Class GG25
2	1	Disc	Stainless Steel AISI 316 or Ductile Iron GGG40 Epoxy
3	1	Shaft	Stainless Steel AISI 420
4	1	Liner (Standard)	EPDM standard, Buna-N Optional and other material
5	1	Spring clip	Stainless steel
6	1	"O"-Ring	Nitrile
7	1	Bushing	Glass filled Acetal
8	1	Metal tag	Aluminium
9	1	Safety bushing	SS 304 L
10	1	Upper guide bushing	PTFE on plated steel
11	1	Lower guide bushing	PTFE on plated steel
12	1	Cap	Cast Iron ASTM A126 Class B FG25
13	1	Hand lever	Cast Iron ASTM A126 Class B FG25
14	1	Lever	Cast Iron ASTM A126 Class B FG25
15	2	Cap screw	Plated steel, SHCS
16	2	Stop washer	Plated steel
17	2	Nut	Plated steel
18	1	Pin	Stainless steel
19	1	Spring	Stainless steel



Installation

