

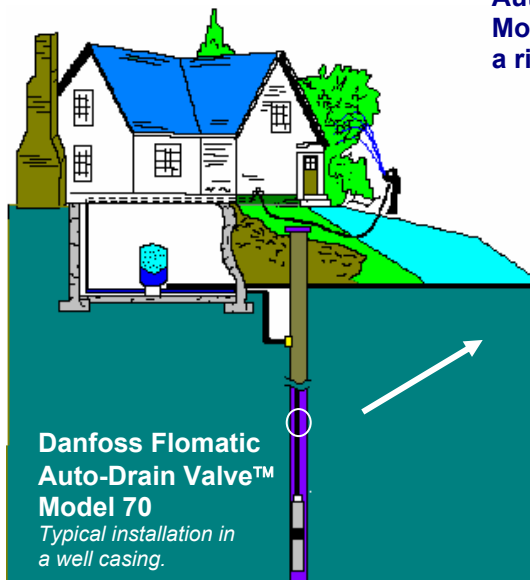
Auto-Drain Valve™



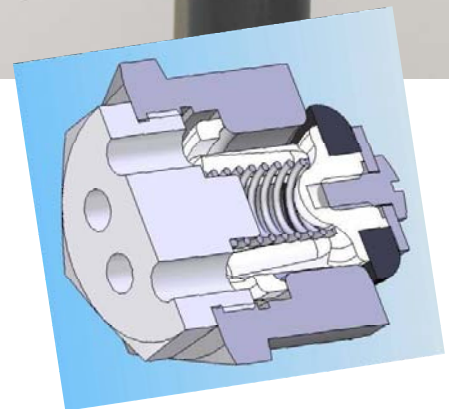
Danfoss Flomatic Auto-Drain Valve™ Model 70

Designed to automatically drain the water piping systems

- Domestic well water systems
- Irrigation and sprinkler systems
- Dewatering



Danfoss Flomatic Auto-Drain Valve™ Model 70 installed in a riser pipe



Cross-section view of Auto-Drain Valve™

The new Automatic Drain Valve, Model 70, is used in sprinkler, agricultural watering, irrigation drainage and domestic water systems where reliable, maintenance free performance is crucial. This valve will provide automatic drainage of water lines when the line pressure drops below 10 psi in a closed water system.

FLOMATIC® VALVES

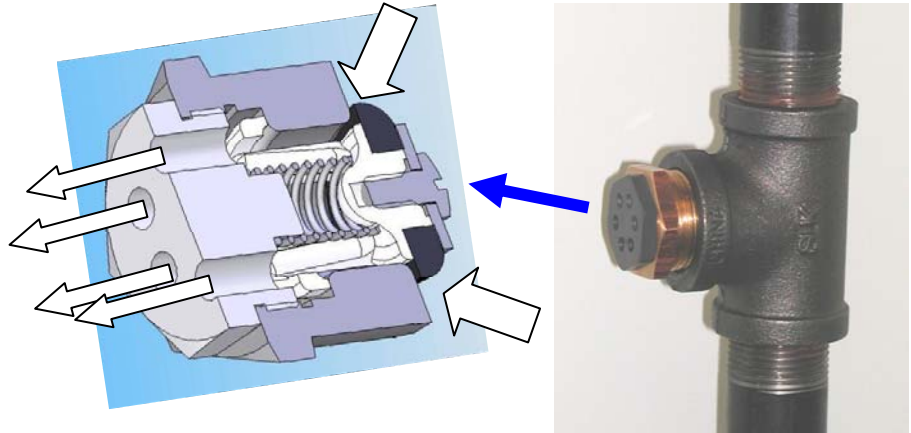
15 Pruyn's Island Drive, Glens Falls, New York 12801
Phone: 518-761-9797 Fax: 518-791-9798

Danfoss Flomatic Auto-Drain Valve™ Model 70

Product Operation

The Danfoss Flomatic Auto-Drain Valve™ Model 70 when properly installed in a wells riser pipe will drain the piping system when the system pressure is 10 psi or lower. The Auto-Drain Valve™ will close automatically when the pipe flow starts-up and the system pressure exceeds.

Water will drain automatically to the water well. The valve will close when water starts to flow at higher pressure.

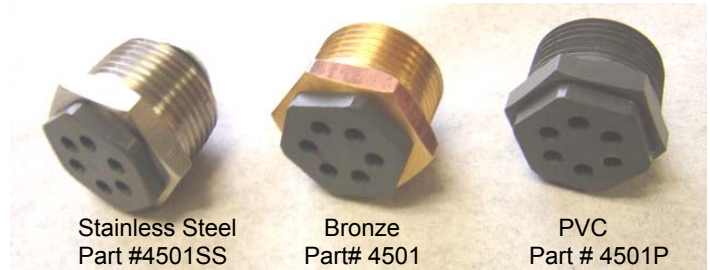


Product Options

Three different valve body materials are offered. The standard bronze body is available with optional stainless steel or PVC for corrosive-free service. All internal parts and material are the same for all three models.

Product Specification

Connection: 1" NPT Male Connection
 Max pressure: 400 PSI (27 bar)
 Max temperature: 180°F (80°C)
 Normally spring loaded open
Auto-Drain Valve™ closing at 10 psi at 5 gpm



Materials

Stainless steel spring, fasteners and valve disc.
 Acetal valve follower guide.

Model 70

Discount Code: A

Part #	Material	Case Qty
4501P	PVC	12
4501	Bronze	12
4501SS	Stainless Steel	12

Product Warranty

Danfoss Flomatic standard product warranty for check and foot valves apply also to **Auto-Drain Valve™**



15 Pruyn's Island Drive, Glens Falls, New York 12801-4424
 Phone: 1-800-833-2040 Fax: 518-791-9798
www.us.water.danfoss.com www.flomatic.com